

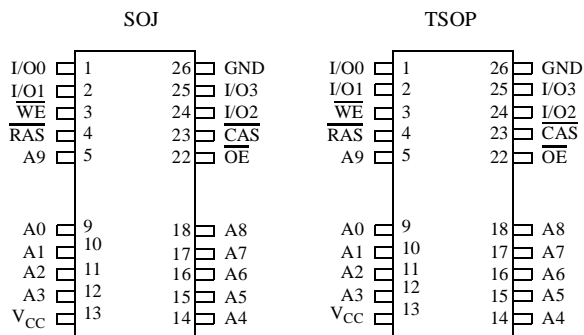


## Preliminary information

## Features

- Organization: 1,048,576 words × 4 bits
- High speed
  - 40/50/60/70 ns  $\overline{\text{RAS}}$  access time
  - 20/25/30/35 ns column address access time
  - 10/13/15/18 ns  $\overline{\text{CAS}}$  access time
- Low power consumption
  - Active: 385 mW max (-60)
  - Standby: 5.5 mW max, CMOS I/O
- Fast page mode (AS4C14400) or EDO (AS4C14405)
- 1024 refresh cycles, 16 ms refresh interval
  - $\overline{\text{RAS}}$ -only or  $\overline{\text{CAS}}$ -before- $\overline{\text{RAS}}$  refresh
- Read-modify-write
- TTL-compatible, three-state I/O
- JEDEC standard packages
  - 300 mil, 20/26-pin SOJ
  - 300 mil, 20/26-pin TSOP
- Single 5V power supply
- ESD protection ≥ 2001V
- Latch-up current ≥ 200 mA

## Pin arrangement



## Pin designation

Pin(s)	Description
A0 to A9	Address inputs
$\overline{\text{RAS}}$	Row address strobe
I/O0 to I/O3	Input/output
$\overline{\text{OE}}$	Output enable
$\overline{\text{CAS}}$	Column address strobe
$\overline{\text{WE}}$	Read/write control
$V_{\text{CC}}$	Power (5.0 ± 0.5V)
GND	Ground

## Selection guide

	Symbol	4C14400-40	4C14400-50	4C14400-60	4C14400-70	Unit
Maximum $\overline{\text{RAS}}$ access time	$t_{\text{RAC}}$	40	50	60	70	ns
Maximum column address access time	$t_{\text{CAA}}$	20	25	30	35	ns
Maximum $\overline{\text{CAS}}$ access time	$t_{\text{CAC}}$	10	13	15	18	ns
Maximum output enable ( $\overline{\text{OE}}$ ) access time	$t_{\text{OEA}}$	10	13	15	18	ns
Minimum read or write cycle time	$t_{\text{RC}}$	70	90	110	130	ns
Minimum fast page mode cycle time	$t_{\text{PC}}$	30	35	40	45	ns
Maximum operating current	$I_{\text{CC1}}$	90	80	70	60	mA
Maximum CMOS standby current	$I_{\text{CC5}}$	1.0	1.0	1.0	1.0	mA

Shaded areas contain advance information.



## Functional description

The AS4C14400 is a high performance CMOS Dynamic Random Access Memory organized as 1,048,576 words  $\times$  4 bits. The AS4C14400 is fabricated with advanced CMOS technology and designed with innovative design techniques resulting in high speed, extremely low power and wide operating margins at component and system levels.

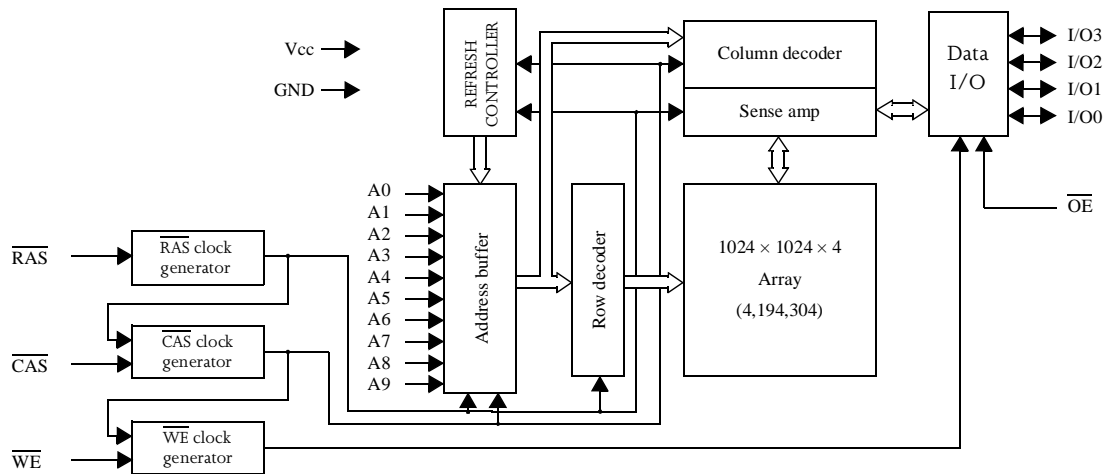
The AS4C14400 features a high speed page mode operation in which high speed read, write and read-write are performed on any of the 1024  $\times$  4 bits defined by the column address. The asynchronous column address uses an extremely short row address capture time to ease the system level timing constraints associated with multiplexed addressing. Output is tri-stated by a column address strobe (CAS) which acts as an output enable independent of  $\overline{\text{RAS}}$ . Very fast  $\overline{\text{CAS}}$  to output access time eases system design.

Refresh on the 1024 address combinations of A0 to A9 during a 16 ms period is accomplished by performing any of the following:

- $\overline{\text{RAS}}$ -only refresh cycles
- Hidden refresh cycles
- $\overline{\text{CAS}}$ -before- $\overline{\text{RAS}}$  refresh cycles
- Normal read or write cycles

The AS4C14400 is available in JEDEC standard 20/26-pin plastic SOJ and 20/26-pin plastic TSOP packages. System level features include single power supply of  $5.0 \pm 0.5\text{V}$  tolerance and direct interface with TTL logic families.

## Logic block diagram



## Recommended operating conditions

Parameter	Symbol	Minimum	Nominal	Maximum	Unit
Supply voltage	$V_{CC}$	4.5	5.0	5.5	V
	GND	0.0	0.0	0.0	V
Input voltage	$V_{IH}$	2.4	–	$V_{CC} + 1$	V
	$V_{IL}$	-1.0	–	0.8	V
Operating temperature	$T_A$	0		70	$^{\circ}\text{C}$

Recommended operating conditions apply to all specifications unless otherwise noted.



## Absolute maximum ratings

Parameter	Symbol	Minimum	Maximum	Unit
Input voltage	$V_{in}$	-1.0	+7.0	V
Output voltage	$V_{out}$	-1.0	+7.0	V
Power supply voltage	$V_{CC}$	-1.0	+7.0	V
Storage temperature (plastic)	$T_{STG}$	-55	+150	°C
Soldering temperature × time	$T_{SOLDER}$	–	$260 \times 10$	°C × sec
Power dissipation	$P_D$	–	1	W
DC output current	$I_{out}$	–	50	mA

NOTE: Stresses greater than those listed under Absolute Maximum Ratings may cause permanent damage to the device. This is a stress rating only and functional operation of the device at these or any other conditions outside those indicated in the operational sections of this specification is not implied. Exposure to absolute maximum rating conditions for extended periods may affect reliability.

## DC electrical characteristics

Parameter	Symbol	Test Conditions	-40		-50		-60		-70		Unit	Notes
			Min	Max	Min	Max	Min	Max	Min	Max		
Input leakage current	$I_I$	$0V \leq V_{in} \leq +5.5V$ Pins not under test = 0V	-2	+2	-2	+2	-2	+2	-2	+2	μA	
Output leakage current	$I_{OZ}$	Outputs disabled, $0V \leq V_{out} \leq +5.5V$	-10	+10	-10	+10	-10	+10	-10	+10	μA	
Operating power supply current	$I_{CC1}$	$\overline{RAS}$ , $\overline{CAS}$ , Address cycling: $t_{RC} = \min$	–	90	–	80	–	70	–	60	mA	1,2
TTL standby power supply current	$I_{CC2}$	$\overline{RAS} = \overline{CAS} = V_{IH}$	–	2.0	–	2.0	–	2.0	–	2.0	mA	
Average power supply current, RAS refresh mode	$I_{CC3}$	$\overline{RAS}$ cycling, $\overline{CAS} = V_{IH}$ , $t_{RC} = \min$	–	90	–	80	–	70	–	60	mA	1
Fast page mode average power supply current	$I_{CC4}$	$\overline{RAS} = V_{IL}$ , $\overline{CAS}$ cycling, Address cycling: $t_{PC} = \min$	–	80	–	70	–	60	–	50	mA	1,2
CMOS standby power supply current	$I_{CC5}$	$\overline{RAS} = \overline{CAS} = V_{CC} - 0.2V$	–	1.0	–	1.0	–	1.0	–	1.0	mA	
$\overline{CAS}$ -before- $\overline{RAS}$ refresh power supply current	$I_{CC6}$	$\overline{RAS}$ , $\overline{CAS}$ cycling: $t_{RC} = \min$	–	90	–	80	–	70	–	60	mA	1
Output voltage	$V_{OH}$	$I_{OUT} = -5.0 \text{ mA}$	2.4	–	2.4	–	2.4	–	2.4	–	V	
	$V_{OL}$	$I_{OUT} = 4.2 \text{ mA}$	–	0.4	–	0.4	–	0.4	–	0.4	V	

Shaded areas contain advance information.



## AC parameters common to all waveforms

Symbol	Parameter	-40		-50		-60		-70		Unit	Notes
		Min	Max	Min	Max	Min	Max	Min	Max		
$t_{RC}$	Random read or write cycle time	70	–	90	–	110	–	130	–	ns	
$t_{RP}$	$\overline{RAS}$ precharge time	20	–	30	–	40	–	50	–	ns	
$t_{RAS}$	$\overline{RAS}$ pulse width	40	10K	50	10K	60	10K	70	10K	ns	
$t_{CAS}$	$\overline{CAS}$ pulse width	10	–	13	–	15	–	18	–	ns	
$t_{RCD}$	$\overline{RAS}$ to $\overline{CAS}$ delay time	18	30	20	37	20	45	20	52	ns	6
$t_{RAD}$	$\overline{RAS}$ to column address delay time	13	20	15	25	15	30	15	35	ns	7
$t_{RSH(R)}$	$\overline{CAS}$ to $\overline{RAS}$ hold time (read)	10	–	13	–	15	–	18	–	ns	
$t_{CSH}$	$\overline{RAS}$ to $\overline{CAS}$ hold time	40	–	50	–	60	–	70	–	ns	
$t_{CRP}$	$\overline{CAS}$ to $\overline{RAS}$ precharge time	0	–	0	–	0	–	0	–	ns	
$t_{ASR}$	Row address setup time	0	–	0	–	0	–	0	–	ns	
$t_{RAH}$	Row address hold time	8	–	10	–	10	–	10	–	ns	
$t_T$	Transition time (rise and fall)	2	50	2	50	2	50	2	50	ns	4,5
$t_{REF}$	Refresh period	–	16	–	16	–	16	–	16	ms	3
$t_{CLZ}$	$\overline{CAS}$ to output in low Z	0	–	0	–	0	–	0	–	ns	8

Shaded areas contain advance information.

## Read cycle

Symbol	Parameter	-40		-50		-60		-70		Unit	Notes
		Min	Max	Min	Max	Min	Max	Min	Max		
$t_{RAC}$	Access time from $\overline{RAS}$	–	40	–	50	–	60	–	70	ns	6
$t_{CAC}$	Access time from $\overline{CAS}$	–	10	–	13	–	15	–	18	ns	6,13
$t_{AA}$	Access time from address	–	20	–	25	–	30	–	35	ns	7,13
$t_{AR(R)}$	Column add hold from $\overline{RAS}$	30	–	40	–	45	–	55	–	ns	
$t_{RCS}$	Read command setup time	0	–	0	–	0	–	0	–	ns	
$t_{RCH}$	Read command hold time to $\overline{CAS}$	0	–	0	–	0	–	0	–	ns	9
$t_{RRH}$	Read command hold time to $\overline{RAS}$	0	–	0	–	0	–	0	–	ns	9
$t_{RAL}$	Column address to $\overline{RAS}$ lead time	20	–	25	–	30	–	35	–	ns	
$t_{CPN}$	$\overline{CAS}$ precharge time	5	–	10	–	10	–	10	–	ns	
$t_{ODS}$	Output disable setup time	0	–	0	–	0	–	0	–	ns	
$t_{OFF}$	Output buffer turn-off time	0	10	0	13	0	15	0	18	ns	8,10

Shaded areas contain advance information.



## Write cycle

Symbol	Parameter	-40		-50		-60		-70		Unit	Notes
		Min	Max	Min	Max	Min	Max	Min	Max		
t <sub>ASC</sub>	Column address setup time	0	–	0	–	0	–	0	–	ns	
t <sub>CAH</sub>	Column address hold time	8	–	10	–	10	–	15	–	ns	
t <sub>AWR</sub>	Column address hold time to $\overline{\text{RAS}}$	30	–	40	–	45	–	55	–	ns	
t <sub>WCS</sub>	Write command setup time	0	–	0	–	0	–	0	–	ns	11
t <sub>WCH</sub>	Write command hold time	5	–	10	–	10	–	15	–	ns	11
t <sub>WCR</sub>	Write command hold time to $\overline{\text{RAS}}$	30	–	40	–	45	–	55	–	ns	
t <sub>WP</sub>	Write command pulse width	8	–	10	–	10	–	15	–	ns	
t <sub>RWL</sub>	Write command to $\overline{\text{RAS}}$ lead time	10	–	13	–	15	–	18	–	ns	
t <sub>CWL</sub>	Write command to $\overline{\text{CAS}}$ lead time	10	–	13	–	15	–	18	–	ns	
t <sub>DS</sub>	Data-In setup time	0	–	0	–	0	–	0	–	ns	12
t <sub>DH</sub>	Data-In hold time	8	–	10	–	10	–	15	–	ns	12
t <sub>DHR</sub>	Data-In hold time to $\overline{\text{RAS}}$	30	–	40	–	45	–	55	–	ns	

Shaded areas contain advance information.

## Read-modify-write cycle

Symbol	Parameter	-40		-50		-60		-70		Unit	Notes
		Min	Max	Min	Max	Min	Max	Min	Max		
t <sub>RWC</sub>	Read-write cycle time	105	–	131	–	155	–	181	–	ns	
t <sub>RWD</sub>	$\overline{\text{RAS}}$ to $\overline{\text{WE}}$ delay time	60	–	73	–	85	–	98	–	ns	11
t <sub>CWD</sub>	$\overline{\text{CAS}}$ to $\overline{\text{WE}}$ delay time	30	–	36	–	40	–	46	–	ns	11
t <sub>AWD</sub>	Column address to $\overline{\text{WE}}$ delay time	40	–	48	–	55	–	63	–	ns	11
t <sub>RSH(W)</sub>	$\overline{\text{CAS}}$ to $\overline{\text{RAS}}$ hold time (write)	10	–	13	–	15	–	18	–	ns	
t <sub>CAS(W)</sub>	$\overline{\text{CAS}}$ pulse width (write)	10	–	13	–	15	–	18	–	ns	

Shaded areas contain advance information.



### Fast page mode cycle

Symbol	Parameter	-40		-50		-60		-70		Unit	Notes
		Min	Max	Min	Max	Min	Max	Min	Max		
$t_{PC}$	Read-write cycle time (fast page)	30	–	35	–	40	–	45	–	ns	14
$t_{CAP}$	Access time from $\overline{CAS}$ precharge	–	25	–	30	–	35	–	40	ns	13
$t_{CP}$	$\overline{CAS}$ precharge time (fast page)	5	–	10	–	10	–	10	–	ns	
$t_{PCM}$	Fast page mode RMW cycle	65	–	76	–	85	–	96	–	ns	
$t_{CRW}$	Page mode $\overline{CAS}$ pulse width (RMW)	45	–	54	–	60	–	69	–	ns	
$t_{RASP}$	$\overline{RAS}$ pulse width	40	100K	50	100K	60	100K	70	100K	ns	

Shaded areas contain advance information.

### Refresh cycle

Symbol	Parameter	-40		-50		-60		-70		Unit	Notes
		Min	Max	Min	Max	Min	Max	Min	Max		
$t_{CSR}$	$\overline{CAS}$ setup time ( $\overline{CAS}$ -before- $\overline{RAS}$ )	10	–	10	–	10	–	10	–	ns	3
$t_{CHR}$	$\overline{CAS}$ hold time ( $\overline{CAS}$ -before- $\overline{RAS}$ )	10	–	10	–	15	–	15	–	ns	3
$t_{RPC}$	$\overline{RAS}$ precharge to $\overline{CAS}$ hold time	0	–	0	–	0	–	0	–	ns	
$t_{CPT}$	$\overline{CAS}$ precharge time ( $\overline{CAS}$ -before- $\overline{RAS}$ counter test)	5	–	10	–	10	–	10	–	ns	

Shaded areas contain advance information.

### Output enable

Std Symbol	Parameter	-40		-50		-60		-70		Unit	Notes
		Min	Max	Min	Max	Min	Max	Min	Max		
$t_{ROH}$	$\overline{RAS}$ hold time referenced to $\overline{OE}$	5	–	10	–	10	–	10	–	ns	
$t_{OEA}$	$\overline{OE}$ access time	–	10	–	13	–	15	–	18	ns	
$t_{OED}$	$\overline{OE}$ to data delay	10	–	13	–	15	–	18	–	ns	
$t_{OEZ}$	Output buffer turnoff delay from $\overline{OE}$	–	10	–	13	–	15	–	18	ns	8, 10
$t_{OEH}$	$\overline{OE}$ command hold time	10	–	13	–	15	–	18	–	ns	

Shaded areas contain advance information.



## Notes

- 1  $I_{CC1}$ ,  $I_{CC3}$ ,  $I_{CC4}$ , and  $I_{CC6}$  depend on cycle rate.
- 2  $I_{CC1}$  and  $I_{CC4}$  depend on output loading. Specified values are obtained with the output open.
- 3 An initial pause of 200  $\mu$ s is required after power-up followed by any 8  $\overline{\text{RAS}}$  cycles before proper device operation is achieved. In the case of an internal refresh counter, a minimum of 8  $\overline{\text{CAS}}$ -before- $\overline{\text{RAS}}$  initialization cycles instead of 8  $\overline{\text{RAS}}$  cycles are required. 8 initialization cycles are required after extended periods of bias without clocks (greater than 16 ms).
- 4 AC Characteristics assume  $t_T = 5$  ns. All AC parameters are measured with a load equivalent to two TTL loads and 100 pF,  $V_{IL}(\text{min}) \geq \text{GND}$  and  $V_{IH}(\text{max}) \leq V_{CC}$ . See AC test conditions for more information.
- 5  $V_{IH}(\text{min})$  and  $V_{IL}(\text{max})$  are reference levels for measuring timing of input signals. Transition times are measured between  $V_{IH}$  and  $V_{IL}$ .
- 6 Operation within the  $t_{\text{RCD}}(\text{max})$  limit ensures that  $t_{\text{RAC}}(\text{max})$  can be met.  $t_{\text{RCD}}(\text{max})$  is specified as a reference point only. If  $t_{\text{RCD}}$  is greater than the specified  $t_{\text{RCD}}(\text{max})$  limit, then access time is controlled exclusively by  $t_{\text{CAC}}$ .
- 7 Operation within the  $t_{\text{RAD}}(\text{max})$  limit ensures that  $t_{\text{RAC}}(\text{max})$  can be met.  $t_{\text{RAD}}(\text{max})$  is specified as a reference point only. If  $t_{\text{RAD}}$  is greater than the specified  $t_{\text{RAD}}(\text{max})$  limit, then access time is controlled exclusively by  $t_{\text{AA}}$ .
- 8 Assumes three state test load (5 pF and a 380  $\Omega$  Thevenin equivalent).
- 9 Either  $t_{\text{RCH}}$  or  $t_{\text{RRH}}$  must be satisfied for a read cycle.
- 10  $t_{\text{OFF}}(\text{max})$  defines the time at which the output achieves the open circuit condition; it is not referenced to output voltage levels.
- 11  $t_{\text{WCS}}$ ,  $t_{\text{WCH}}$ ,  $t_{\text{RWD}}$ ,  $t_{\text{CWD}}$  and  $t_{\text{AWD}}$  are not restrictive operating parameters. They are included in the datasheet as electrical characteristics only. If  $t_{\text{WCS}} \geq t_{\text{WCS}}(\text{min})$  and  $t_{\text{WCH}} \geq t_{\text{WCH}}(\text{min})$ , the cycle is an early write cycle and data out pins will remain open circuit, high impedance, throughout the cycle. If  $t_{\text{RWD}} \geq t_{\text{RWD}}(\text{min})$ ,  $t_{\text{CWD}} \geq t_{\text{CWD}}(\text{min})$  and  $t_{\text{AWD}} \geq t_{\text{AWD}}(\text{min})$ , the cycle is a read-write cycle and the data out will contain data read from the selected cell. If neither of the above conditions is satisfied, the condition of the data out at access time is indeterminate.
- 12 These parameters are referenced to  $\overline{\text{CAS}}$  leading edge in early write cycles and to  $\overline{\text{WE}}$  leading edge in read-write cycles.
- 13 Access time is determined by the longest of  $t_{\text{CAA}}$  or  $t_{\text{CAC}}$  or  $t_{\text{CAP}}$ .
- 14  $t_{\text{ASC}} \geq t_{\text{CP}}$  to achieve  $t_{\text{PC}}(\text{min})$  and  $t_{\text{CAP}}(\text{max})$  values.
- 15 These parameters are sampled and not 100% tested.

## AC test conditions

- Access times are measured with output reference levels of  $V_{\text{OH}} = 2\text{V}$  and  $V_{\text{OL}} = 0.8\text{V}$
- Input rise and fall times: 5 ns

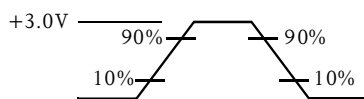
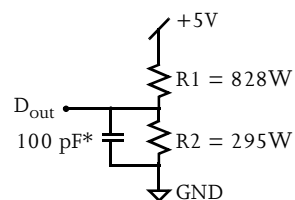


Figure A: Input waveform



\*including scope and jig capacitance

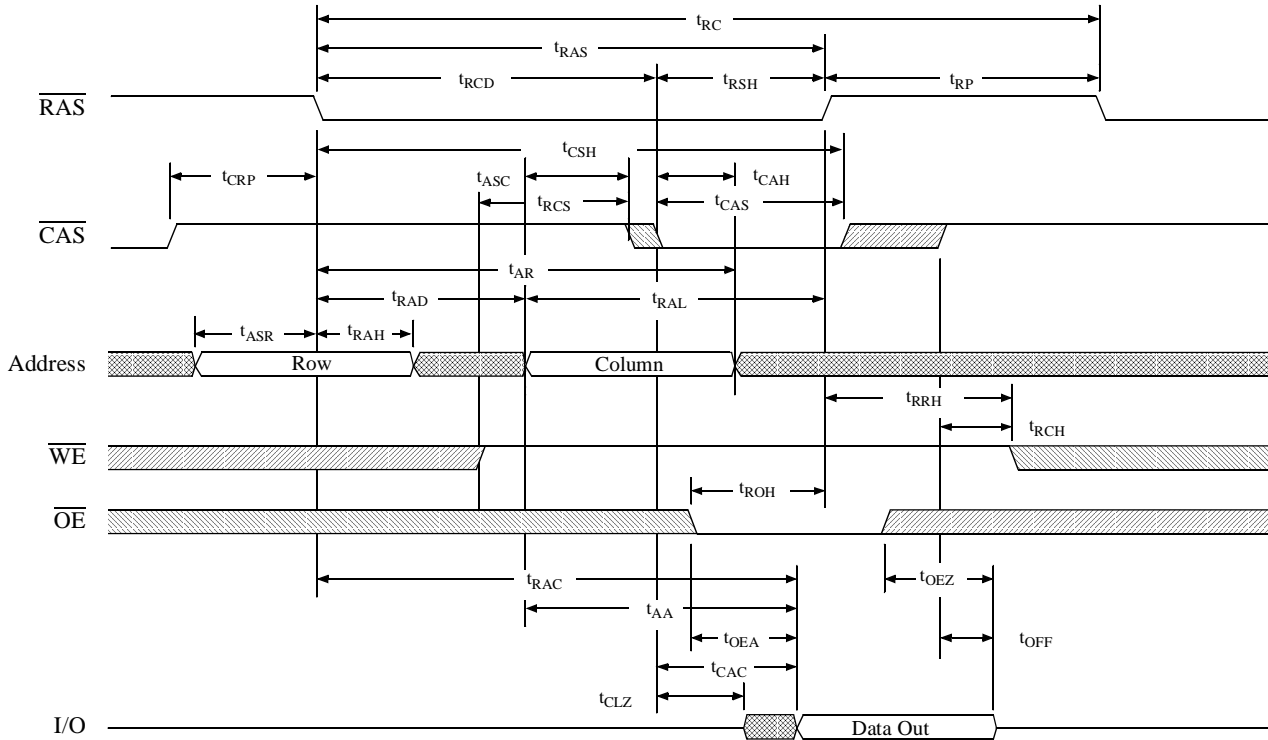
Figure B: Equivalent output load

## Key to switching waveforms

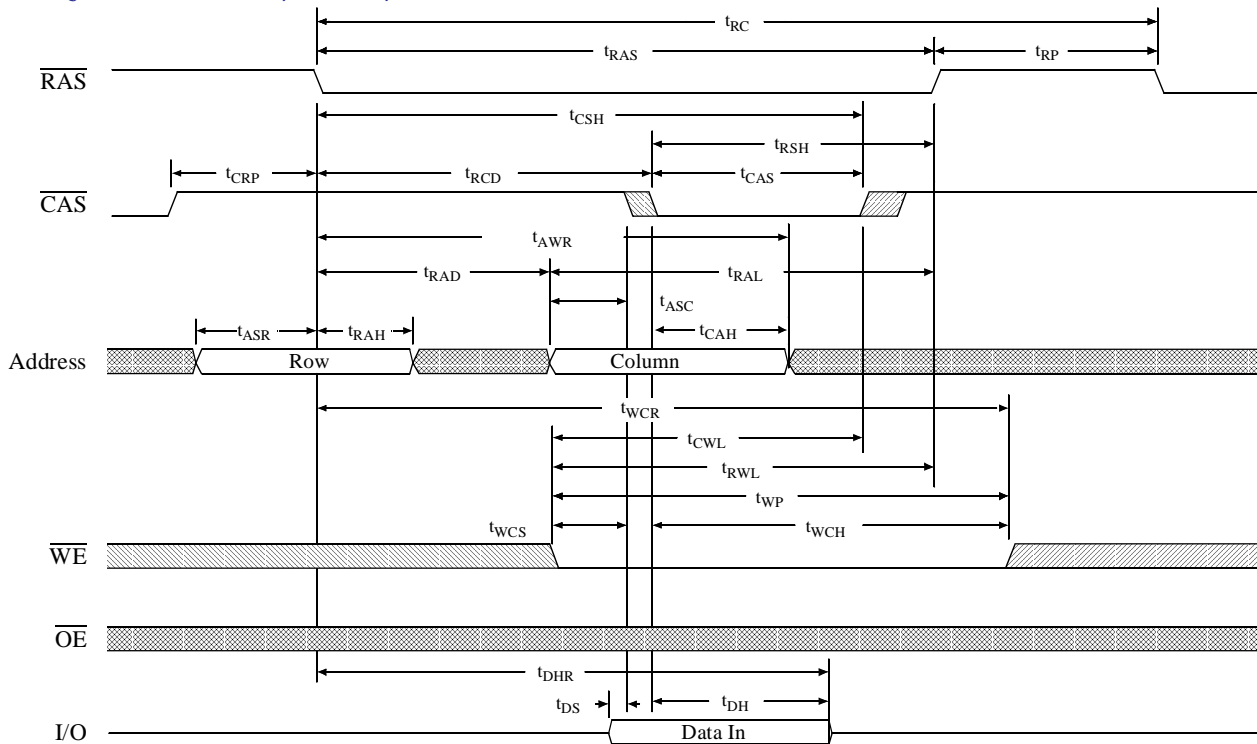




Timing waveform of read cycle



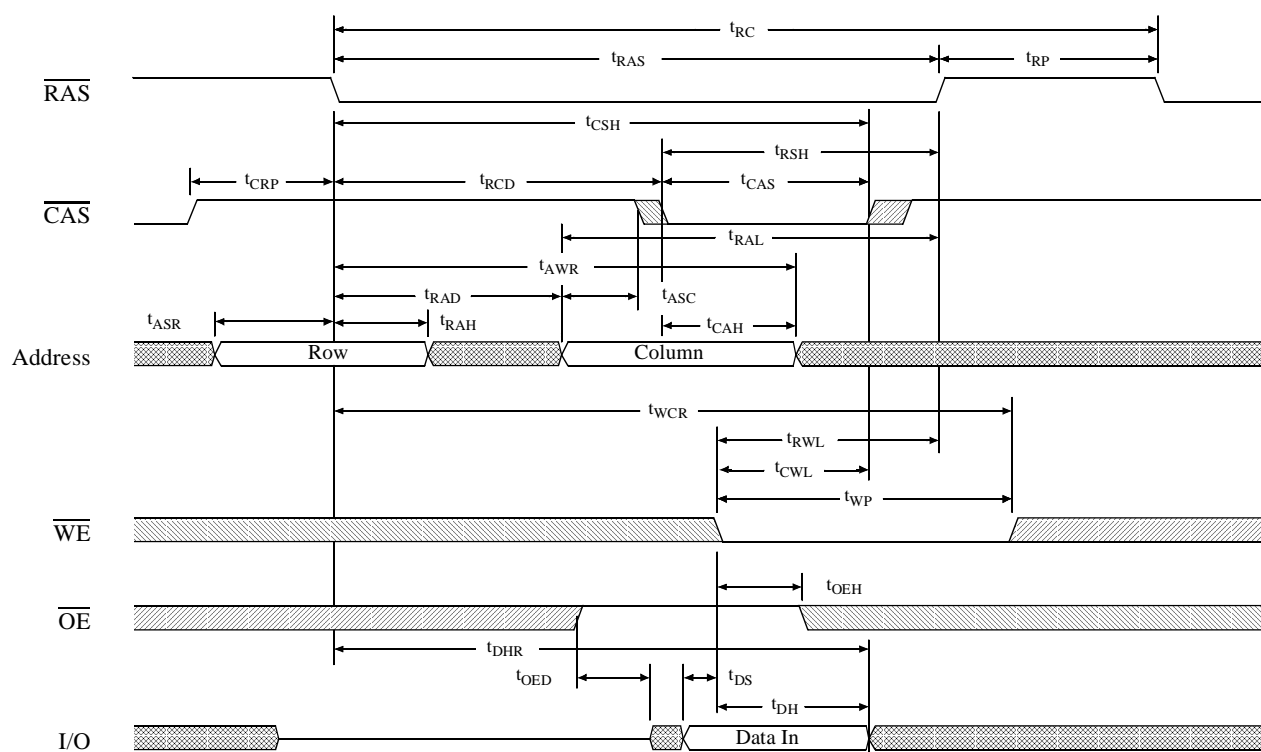
Timing waveform of early write cycle



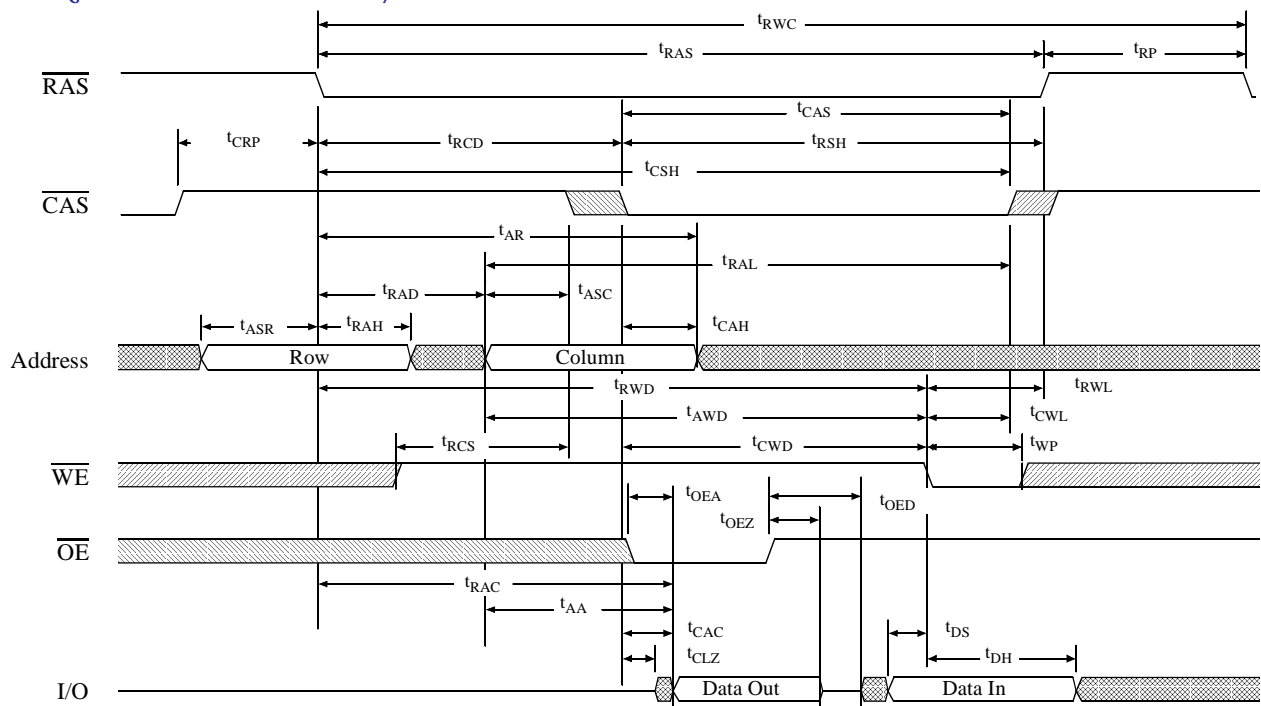




## Timing waveform of write cycle

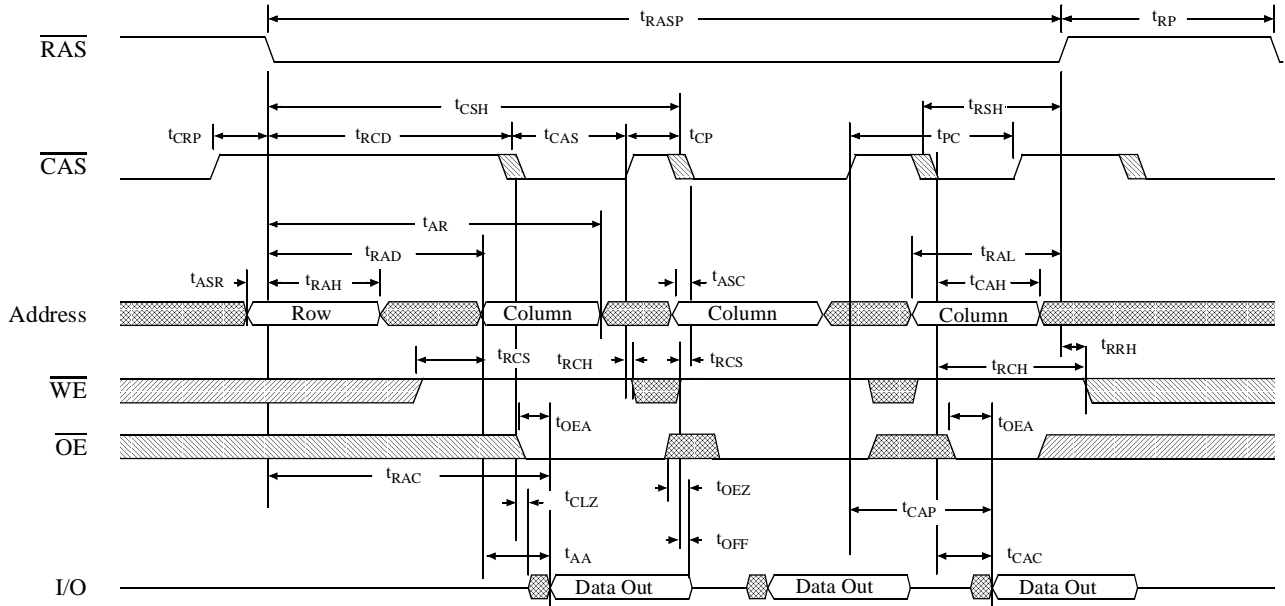
( $\overline{\text{OE}}$  controlled)

## Timing waveform of read-write cycle

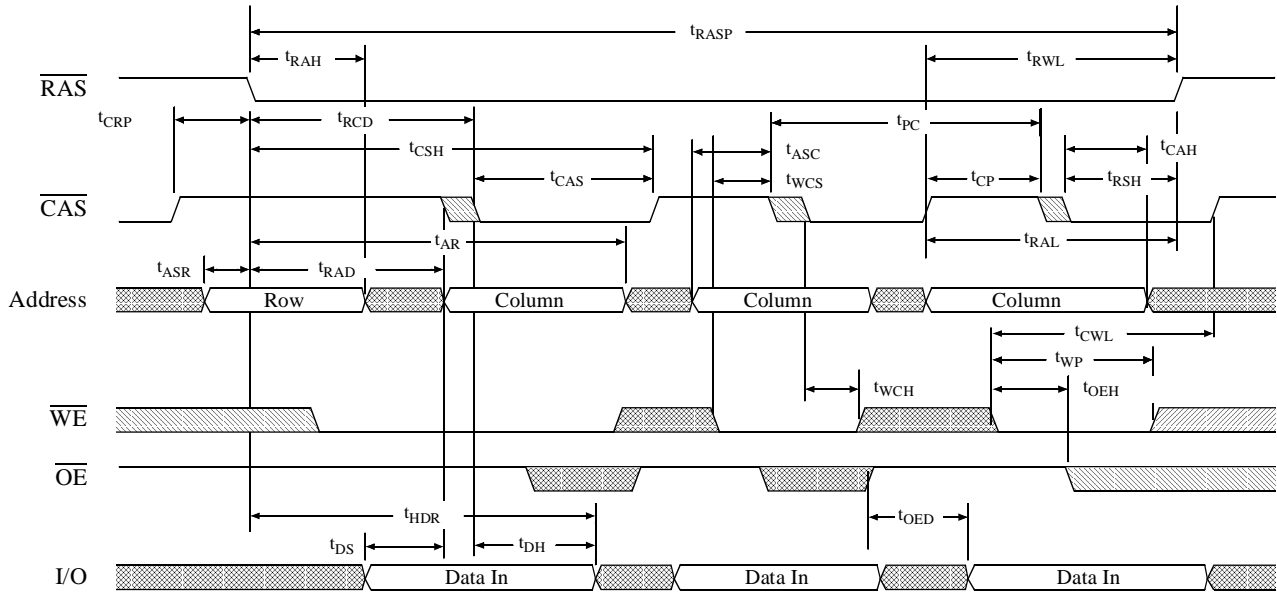




Timing waveform of fast page mode read cycle



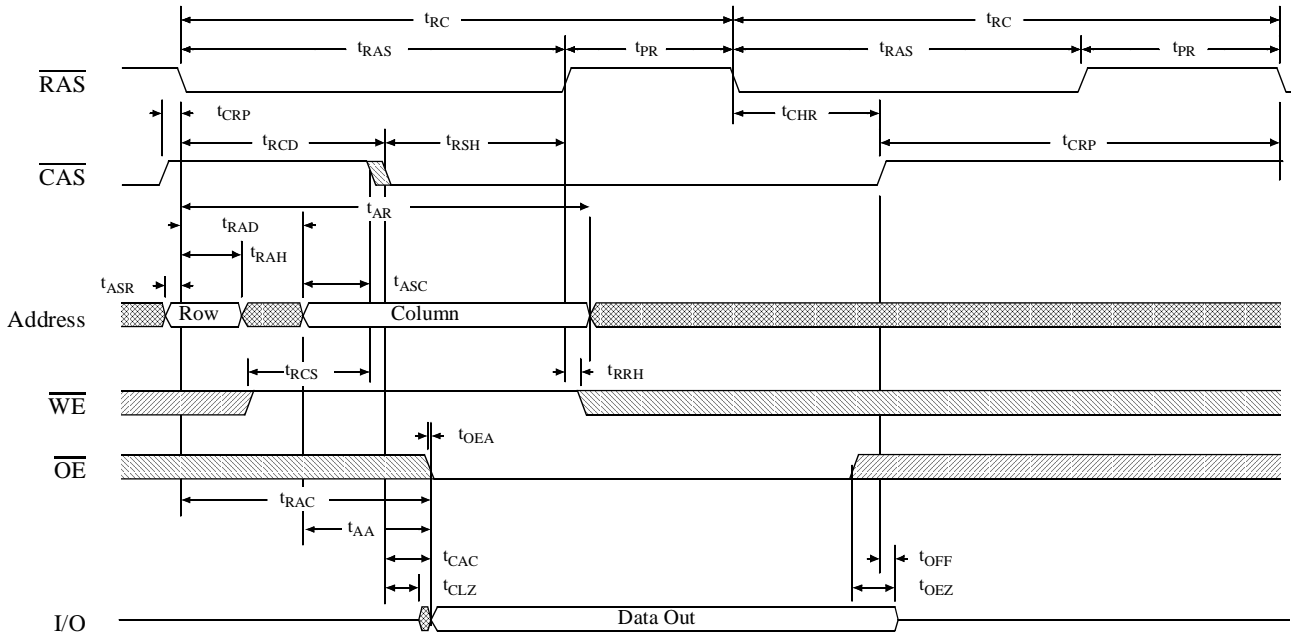
Timing waveform of fast page mode early write cycle



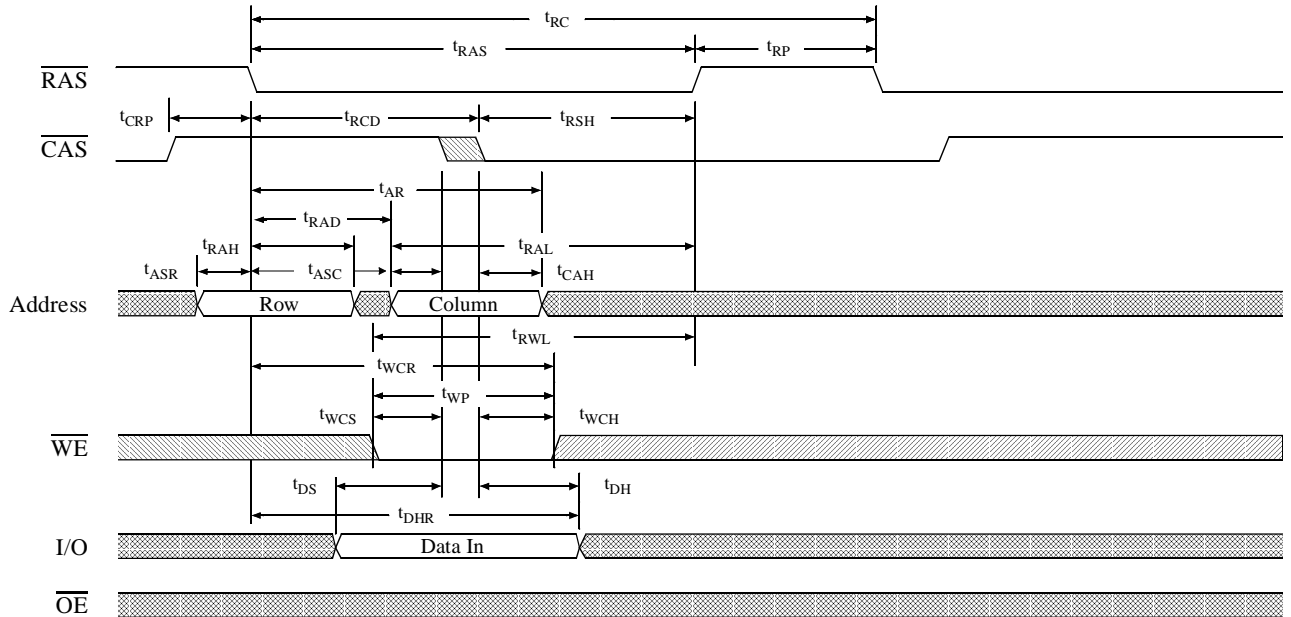




Timing waveform of hidden refresh cycle (read)

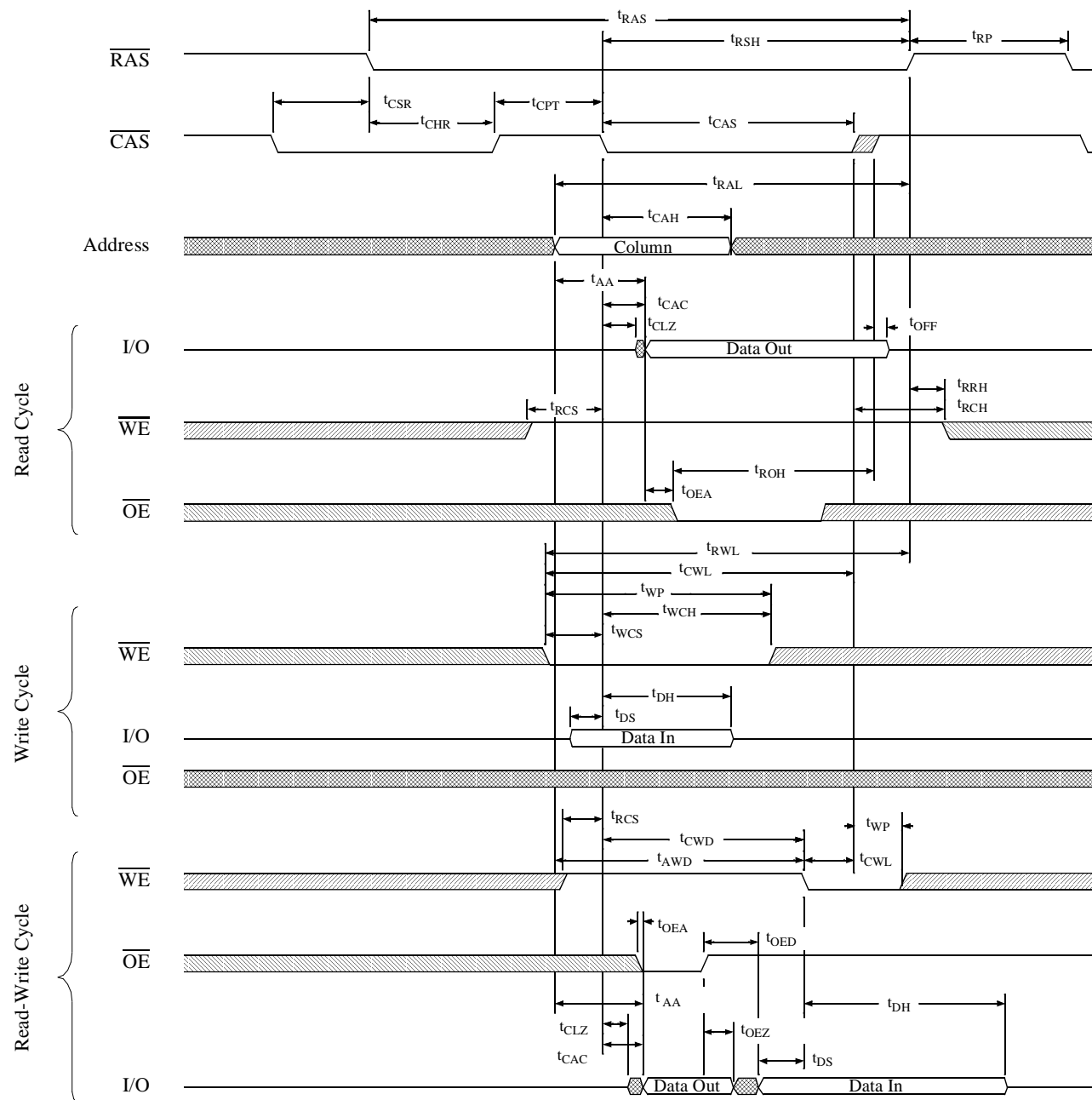


Timing waveform of hidden refresh cycle (write)



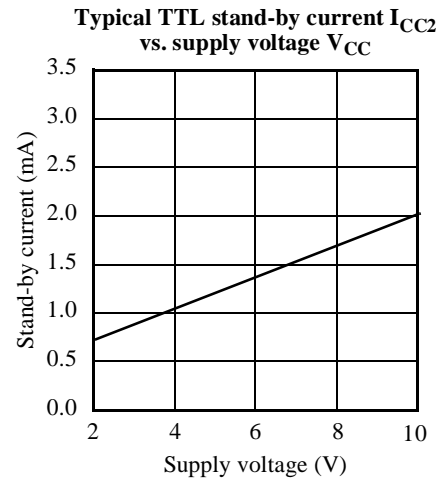
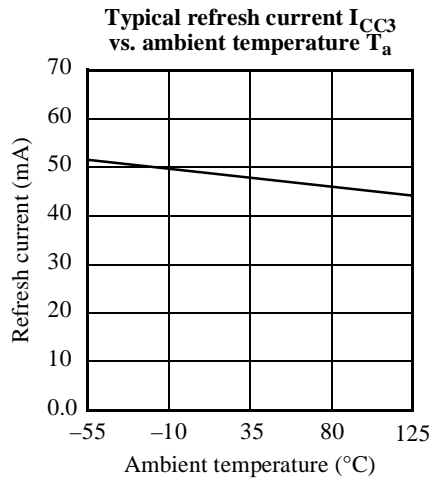
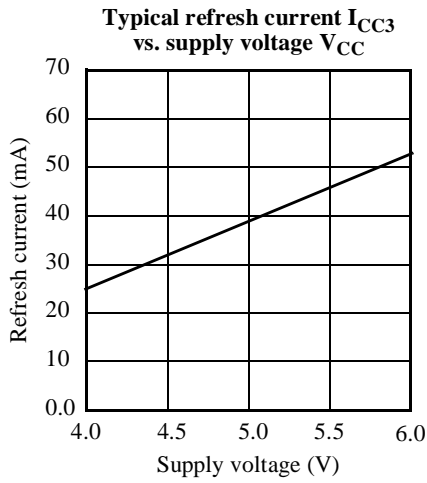
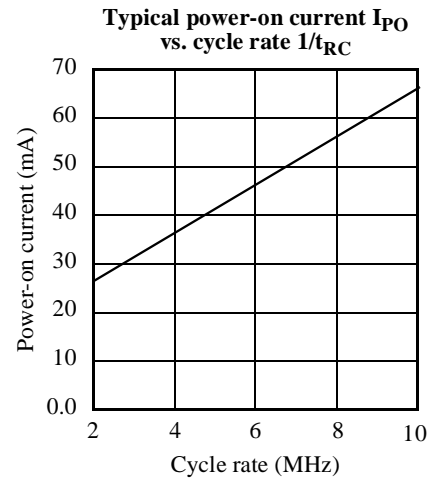
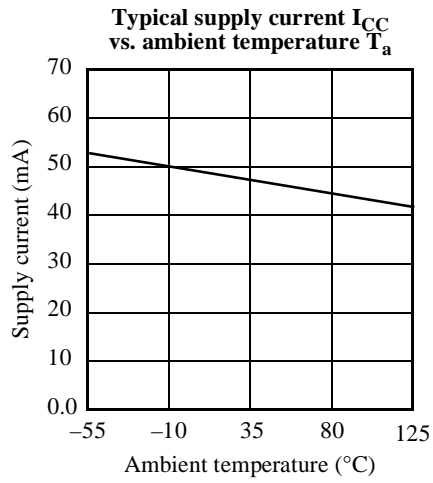
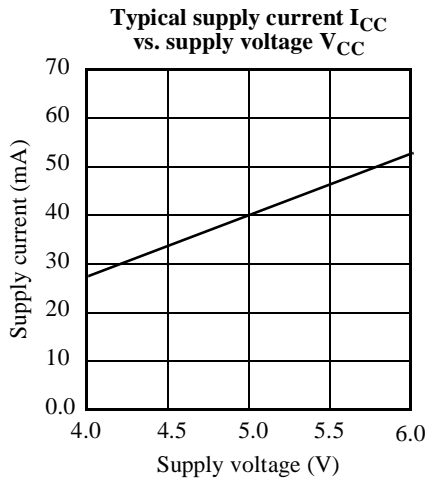
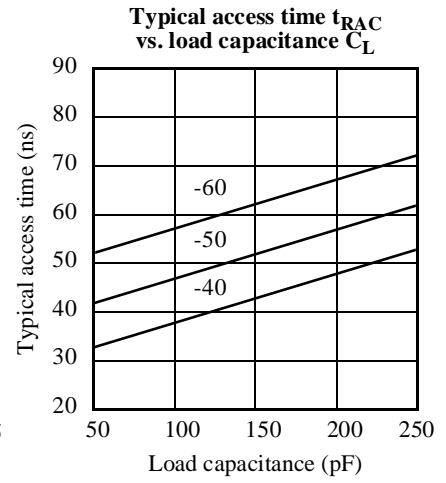
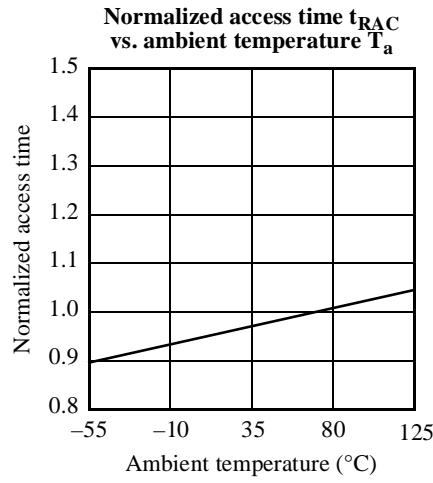
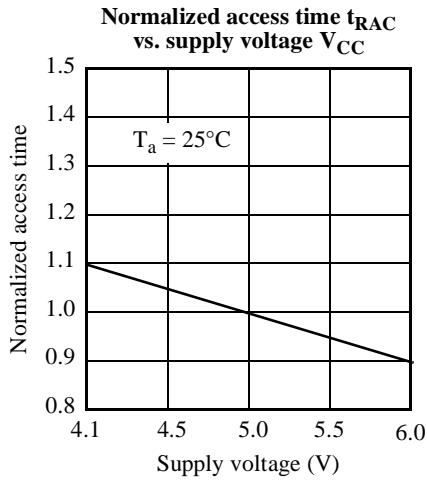


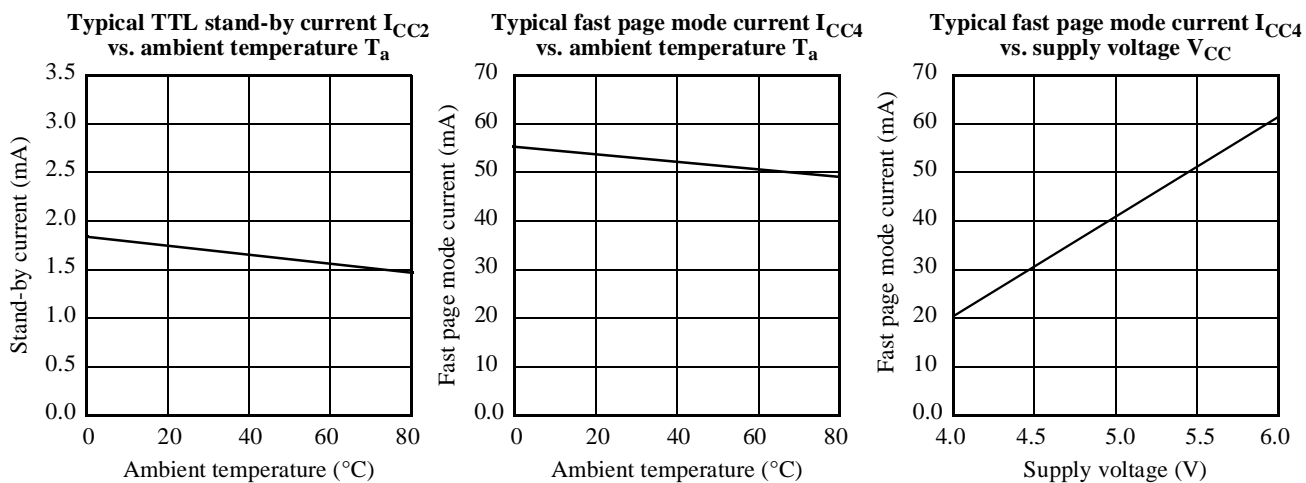
Timing waveform of  $\overline{\text{CAS}}$  before  $\overline{\text{RAS}}$  refresh counter test cycle





Typical DC and AC characteristics





## Capacitance

( $f = 1 \text{ MHz}$ ,  $T_a = \text{Room Temperature}$ )

Parameter	Symbol	Signals	Test Conditions	Max	Unit
Input capacitance	$C_{IN1}$	A0 to A8	$V_{in} = 0\text{V}$	5	pF
	$C_{IN2}$	$\overline{\text{RAS}}$ , $\overline{\text{CAS}}$ , $\overline{\text{WE}}$ , $\overline{\text{OE}}$	$V_{in} = 0\text{V}$	7	pF
I/O capacitance	$C_{I/O}$	I/O0 to I/O3	$V_{in} = V_{out} = 0\text{V}$	7	pF



## Ordering codes

Package \ RAS Access Time	40 ns	50 ns	60 ns	70 ns
Plastic SOJ, 300 mil, 20/26-pin	AS4C14400-40JC AS4C14405-40JC	AS4C14400-50JC AS4C14405-50JC	AS4C14400-60JC AS4C14405-60JC	AS4C14400-70JC AS4C14405-70JC
Plastic TSOP, 300 mil, 20/26-pin	AS4C14400-40TC AS4C14405-40TC	AS4C14400-50TC AS4C14405-50TC	AS4C14400-60TC AS4C14405-60TC	AS4C14400-70TC AS4C14405-70TC

Shaded areas contain advance information.

## Part numbering system

AS4C	14400	-XX	X	C
DRAM Prefix	Device number	RAS access time	Package: J = SOJ 300 mil, T = TSOP 300 mil	Commercial temperature range, 0°C to 70 °C

## Representatives, distributors, and sales offices

### DOMESTIC REPS

#### ALABAMA

Concord Component  
(205) 772-8883

#### ARKANSAS

Southern States Marketing  
(214) 238-7500

#### CALIFORNIA

NORTH  
Brooks Technical  
(415) 960-3880

LA AREA  
Competitive Tech.  
(714) 450-0170

SAN DIEGO  
ATS  
(619) 634-1488

#### COLORADO

Technology Sales  
(303) 692-8835

#### CONNECTICUT

Kitchen & Kutchin  
(203) 239-0212

#### DELAWARE

Electro Tech  
(610) 272-2125

#### FLORIDA

Micro-Electronic Comp.

DEERFIELD BEACH  
(954) 426-8944

ORLANDO  
(407) 682-9602

TAMPA  
(813) 393-5011

#### GEORGIA

Concord Component  
(770) 416-9597

#### HAWAII

Brooks Technical  
(415) 960-3880

#### IDAHO

ES/Chase  
(503) 684-8500

#### ILLINOIS

NORTH  
El-Mech  
(312) 794-9100

SOUTH  
CenTech  
(314) 291-4230

#### INDIANA

CC Electro Sales  
(317) 921-5000

### KANSAS

CenTech  
(816) 358-8100

### KENTUCKY

CC Electro Sales  
(317) 921-5000

### LOUISIANA

Southern States Marketing

NORTH  
(214) 238-7500

SOUTH  
(713) 895-8533

### MAINE

Kitchen & Kutchin  
(617) 229-2660

### MARYLAND

Chesapeake Tech.  
(301) 236-0530

### MASSACHUSETTS

Kitchen & Kutchin  
(617) 229-2660

### MICHIGAN

Enco Group  
(810) 338-8600

### MINNESOTA

D. A. Case Associates  
(612) 831-6777

### MISSOURI

CenTech

### EAST

(314) 291-4230

### WEST

(816) 358-8100

### MISSISSIPPI

Concord Component  
(205) 772-8883

### MONTANA

ES/Chase  
(503) 684-8500

### NEBRASKA

CenTech  
(816) 358-8100

### NEVADA

Brooks Technical  
(415) 960-3880

### NEW HAMPSHIRE

Kitchen & Kutchin  
(617) 229-2660

### NEW JERSEY

NORTH  
ERA Associates  
(800) 645-5500

SOUTH  
Electro Tech  
(610) 272-2125

### NEW YORK

NYC  
ERA Associates  
(516) 543-0510

UPSTATE  
Tri-Tech

ROCHESTER  
(716) 385-6500

BINGHAMTON  
(607) 722-3580

### NORTH CAROLINA

Concord Component  
(919) 846-3441

### NORTH DAKOTA

D. A. Case Associates  
(612) 831-6777

### OHIO

Midwest Marketing Assoc.

LYNDHURST  
(216) 381-8575

DAYTON  
(513) 433-2511

### OKLAHOMA

Southern States Marketing  
(214) 238-7500

### OREGON

ES/Chase  
(503) 684-8500

### PENNSYLVANIA

EAST  
Electro Tech  
(610) 272-2125

WEST  
Midwest Marketing  
(216) 381-8575

RHODE ISLAND  
Kitchen & Kutchin  
(617) 229-2660

### SOUTH CAROLINA

Concord Component  
(919) 846-3441

### SOUTH DAKOTA

D. A. Case Associates  
(612) 831-6777

### TENNESSEE

Concord Component  
(205) 772-8883

### TEXAS

Southern States Marketing

AUSTIN  
(512) 835-5822

DALLA  
(214) 238-7500

HOUSTON  
(713) 895-8533

### UTAH

Charles Fields & Assoc.  
(801) 299-8228

### VERMONT

Kitchen & Kutchin  
(617) 229-2660

### VIRGINIA

Chesapeake Tech.  
(301) 236-0530

### WASHINGTON

ES/Chase  
(206) 823-9535

### WEST VIRGINIA

Chesapeake Tech.  
(301) 236-0530

### WISCONSIN

D. A. Case Associates  
(612) 831-6777

### WYOMING

Technology Sales  
(303) 692-8835

### INTERNATIONAL REPS

#### AUSTRALIA

DINGLEY  
R&D Electronics  
+61-3-9558-0444

BAYSWATER  
ACD  
+61-3-9762-7644

#### CANADA

J-Squared Technologies

OTTAWA  
(613) 592-9540

TORONTO  
(905) 672-2030

MONTREAL  
(514) 747-1211

VANCOUVER  
(604) 473-4666

CALGARY  
(403) 291-6755

### EUROPE

Britcomp Sales

SURREY, ENGLAND  
+44-1932 347077  
+44-1932 346256

MUNICH, GERMANY  
+49-894488496

ATHISMONS, FRANCE  
+33-1-69387678

interACTIVE

GREAT BRITAIN, IRELAND  
+44-1773-740263

Ramtec Int'l B.V.

HOLLAND, SPAIN, ITALY,  
BELGIUM, HUNGARY, RUSSIA  
+31-2526-21222

### HONG KONG

Eastele Technology  
+852-2798-8860

### INDIA

Priya Electronics, Inc.  
San Jose, CA USA  
(408) 954-1866

Satcom Sales & Svcs.  
+91-40-761-4675

### ISRAEL

Eldis Technology  
+972-9-562-6666

### JAPAN

TOKYO  
Bussan Micro Electronics  
+81-3-5421-1730

### KYOTO

Rohm Co. Ltd.  
+81-75-311-2121

### KOREA

FM Korea  
+822-596-3880  
fm@ktnet.co.kr

Woo Young Tech  
+822-369-7099

### MALAYSIA

Exer Technologies  
+65-741-4655

### PUERTO RICO

Micro-Electronic Comp.  
(787) 746-9897

### SINGAPORE

Exer Technologies  
+60-4-657-9592

### TAIWAN

Asian Specific Tech.  
+886-2-521-2363

Golden Way Electronics  
+886-2-698-1868 x505

Puteam International  
+886-2-729-0373

### DISTRIBUTORS

All American  
HQ: (305) 621-8282

Axis: Components, Inc.  
HQ: (800) 556-0225

Future Electronics  
HQ: (514) 594-7710

Interface Electronics  
HQ: (800) 632-7792

Please contact your rep to  
locate a distributor near you

### SALES OFFICES

#### HEADQUARTERS

Alliance Semiconductor  
San Jose, CA  
(408) 383-4900

#### NORTHEAST AREA

Alliance Semiconductor  
Boston, MA  
(617) 239-8127

### TECHNICAL CENTER

#### TAIWAN

Alliance Semiconductor  
Tel: +886-2-516-7995  
Fax: +886-2-517-4928  
alliance@netra.wow.net.tw

Alliance Semiconductor reserves the right to make changes in this data sheet at any time to improve design and supply the best product possible. Publication of advance information does not constitute a commitment to produce or supply the product described. The company cannot assume responsibility for circuits shown or represent that they are free from patent infringement. Alliance products are not authorized for use as critical components in life support devices or systems without the express written approval of the president of Alliance. ProMotion<sup>®</sup> and the Alliance logo are registered trademarks of Alliance Semiconductor Corporation. All other trademarks are property of their respective holders.

## ALLIANCE SEMICONDUCTOR

3099 North First Street San Jose, CA 95134

(408) 383-4900 Fax (408) 383-4999

Copyright © 1996 All rights reserved.



This datasheet has been downloaded from:

[www.DatasheetCatalog.com](http://www.DatasheetCatalog.com)

Datasheets for electronic components.